

## ESTUFA JUSTA de dos hornillas

This stove, which is named in honor of our designer and apprentice Dona Justa Nuñez, has a number of advantages over the traditional stove (fogon) and the three-stone fire:



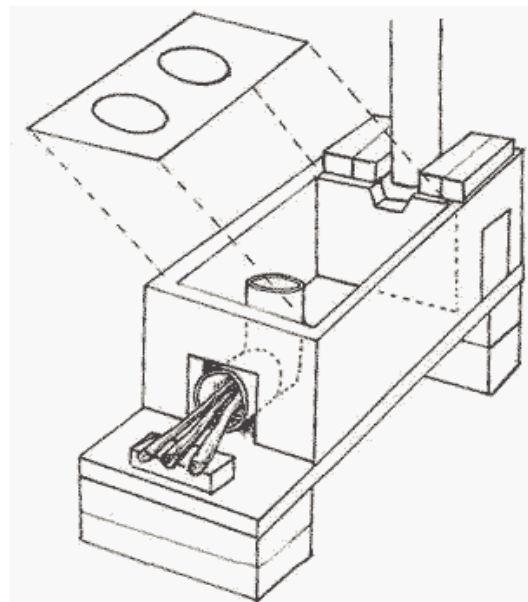
**Efficiency**: almost twice as efficient as an open fire when used with three pots. Insulated low-mass rocket combustion chamber reaches near complete combustion so wood is burned more effectively.

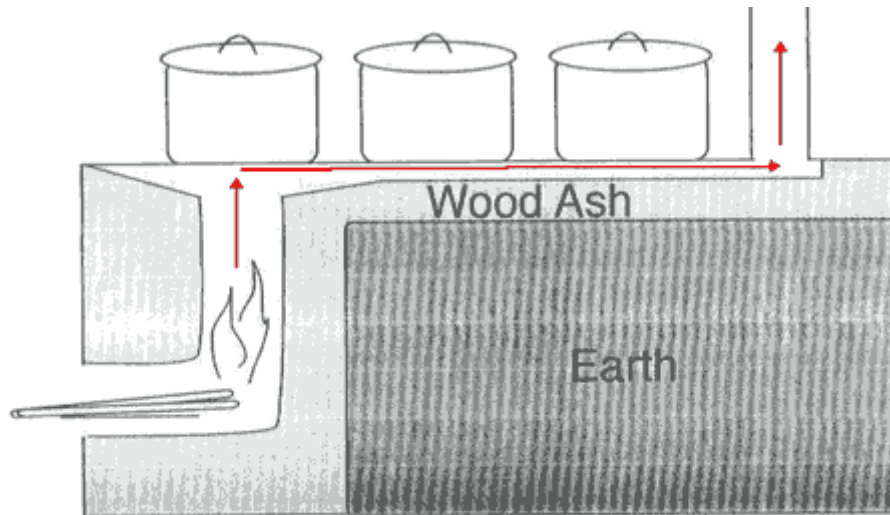
**Construction time**: approximately 4 hours to assemble parts.

**Life expectancy**: ceramic stove liner can last up to ten years.

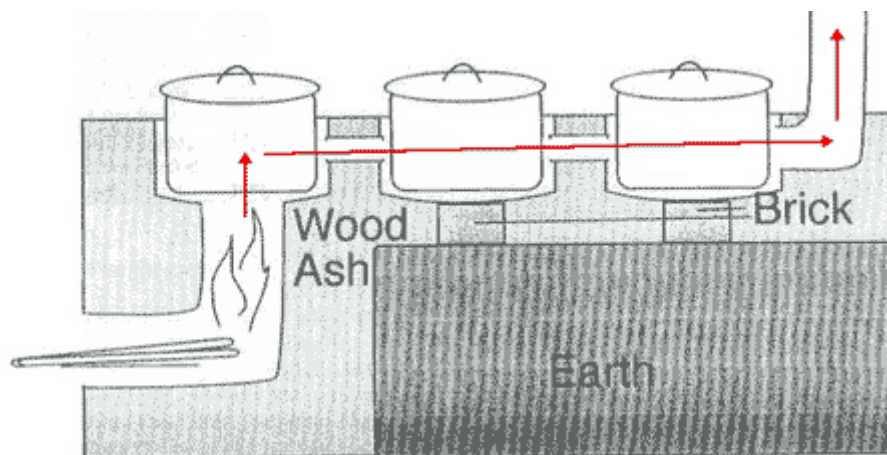
**Material cost**: approximately \$25-\$35US.

**Unlike many other chimney stoves that simply remove uncombusted smoke from the house and export it into the neighborhood, the Estufa Justa is designed to produce little or no smoke at all. Because the Estufa Justa achieves near complete combustion, most of the smoke is transformed into heat, so cooking takes less time and uses less wood.**





Although the Estufa Justa is an improvement over the traditional fogon, it suffers from poor heat transfer to the pots. Wherever the pot is not touching the plancha, heat transfers into the room, not into the pot. Furthermore, only the bottom of the pot is exposed to the hot flue gases.



There are two ways to improve the heat transfer of the Justa. Make the griddle ('plancha') only as large as the pot (approx.10-12" wide) or even better, sink the pots below the plancha. This can double the efficiency of the stove.

## ESTUFA JUSTA sin hornillas



**Is similar to the Estufa Justa de dos hornillas with the exception that there are no holes in the metal cooking surface (plancha). This modification is to accommodate the cultural desire for soot free pots. Unfortunately, the absence of openings in the plancha means a decrease in its efficiency. Both versions of the Estufa Justa can be constructed with an oven with only a slight increase in cost. This oven can easily attain 300 degrees Fahrenheit.**

**Anecdotal reports from Suyapa have suggested a 25-50% decrease in fuel consumption compared to a Lorena (plancha) stove.**

For more information on stove efficiencies see:

[FROM LA LORENA TO LA ESTUFA DE DONA JUSTA](#)

[Back to Stove Page](#) | [Back Home](#)